

ortofon

VERTEX

VERTEX

The point where everything aligns

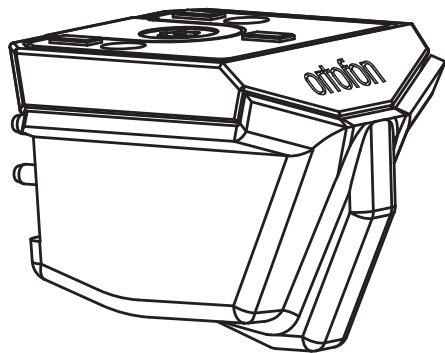
MC Vertex is defined by where music begins.

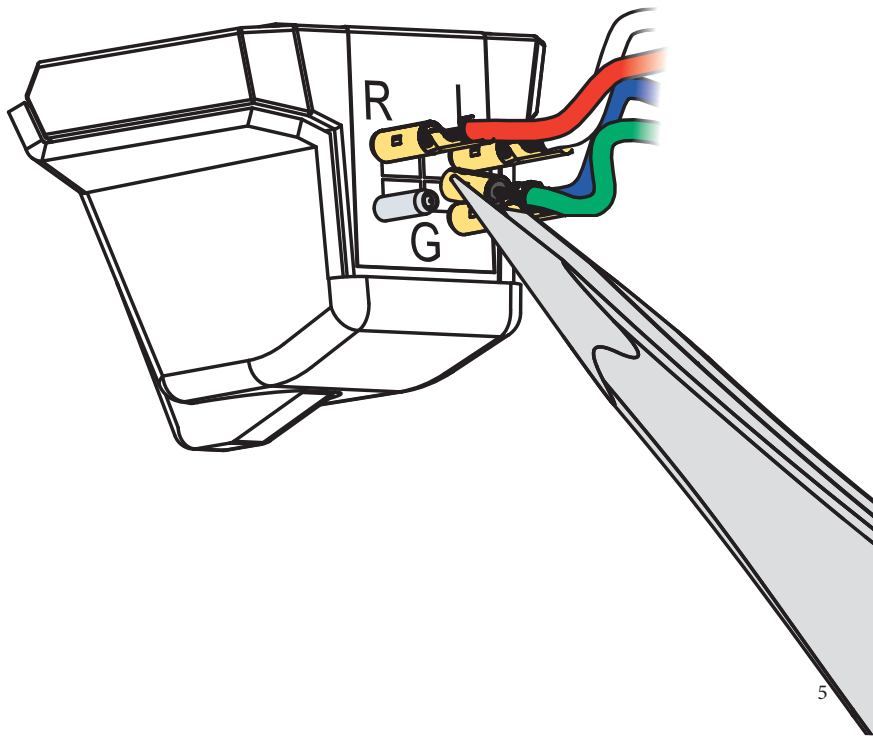
Within the record groove, information exists as a continuous physical form. Its retrieval requires control of movement, stability of structure, and consistency in behavior.

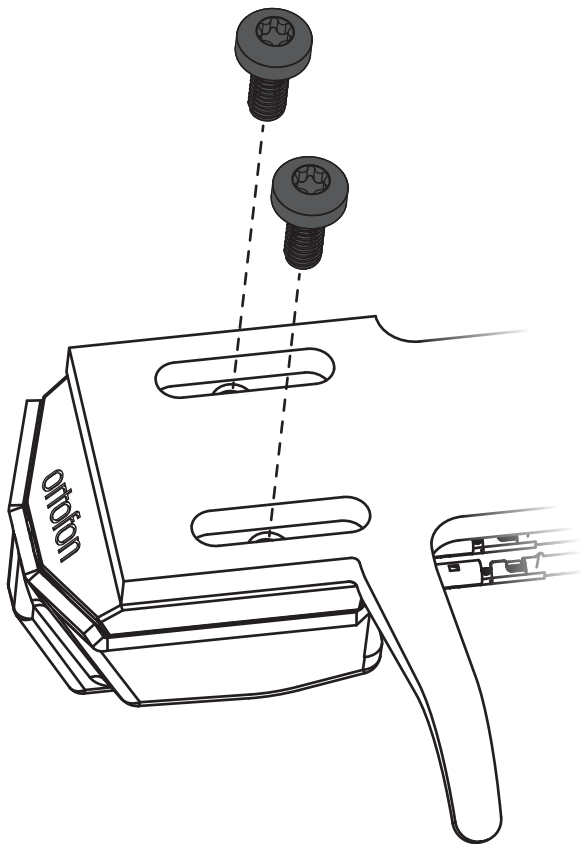
The stylus follows the groove. The cantilever transfer's motion. The suspension governs its response. The coil system converts movement into signal. Each element operates within defined limits. Their interaction determines the result.

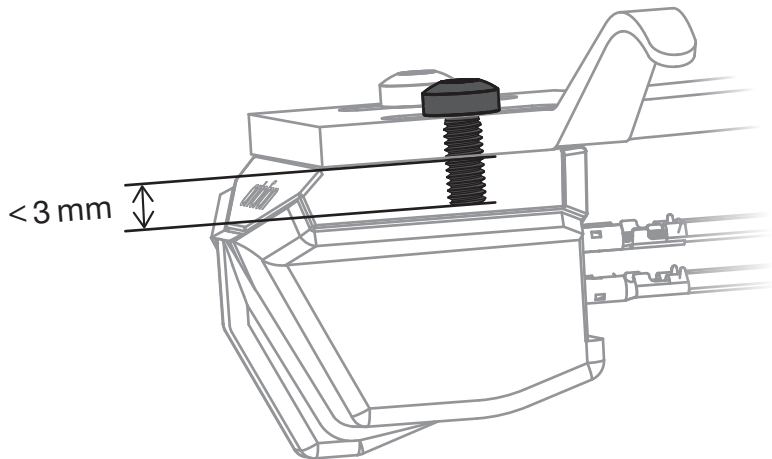
Nothing is added beyond what is required.
Nothing is emphasized beyond what is present.

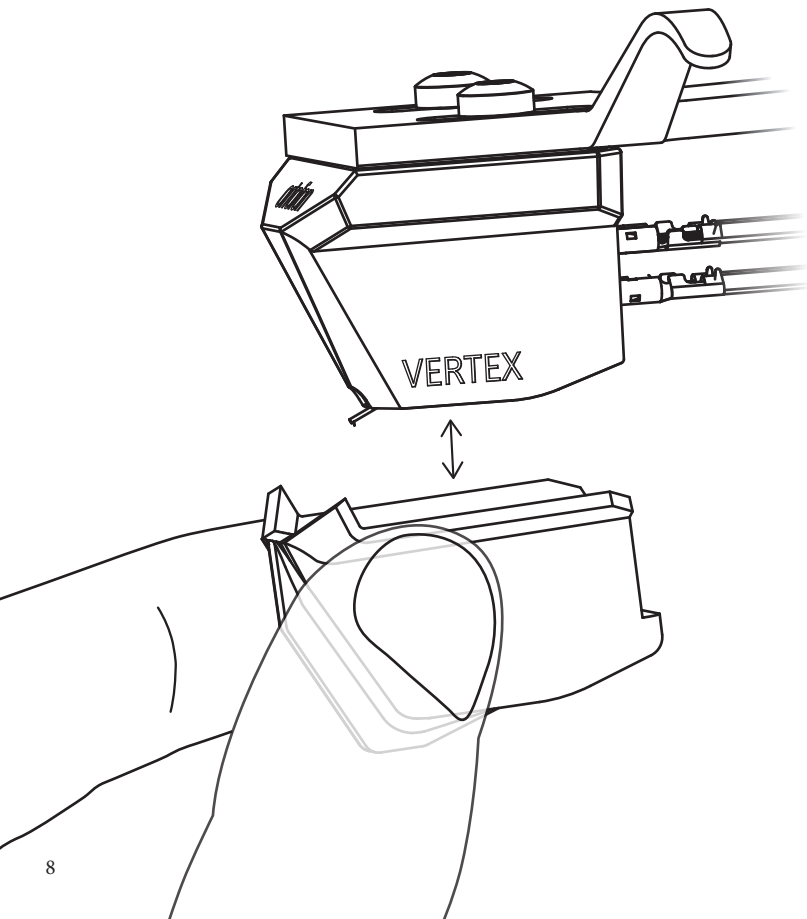






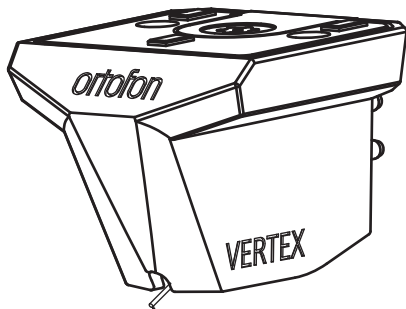




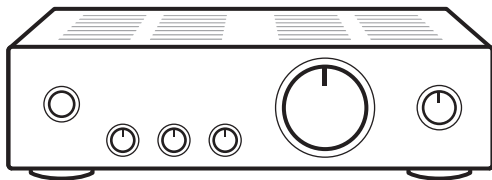


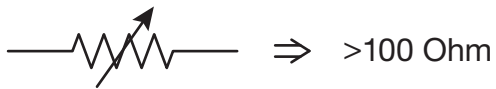
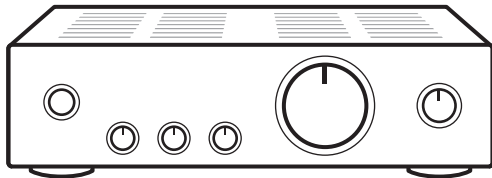
VERTEX






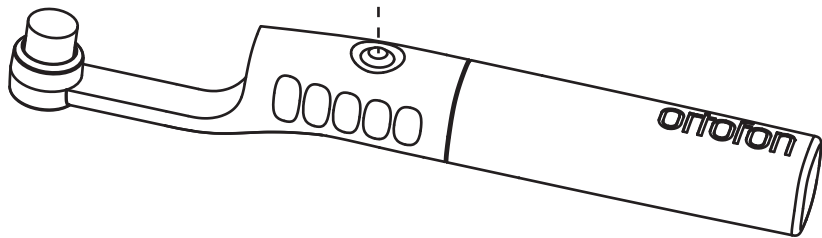


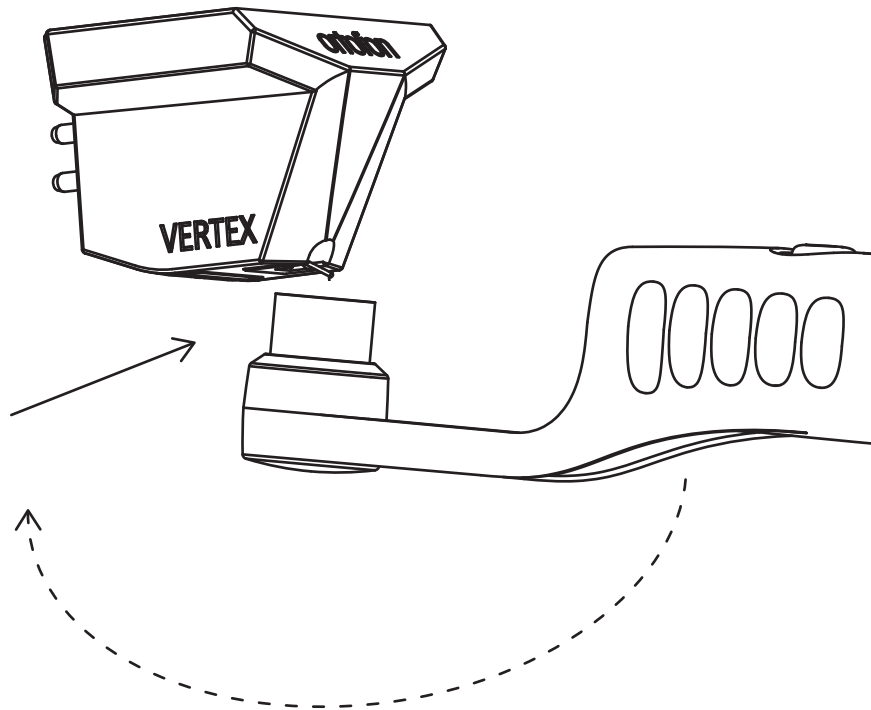
2.5 g





1x  =  ≈  10 sec.







1 × Ortofon LED Stylus Brush

1 × Ortofon Torx T8 screwdriver

2 × M2.5 × 4 mm Torx T8 screws

2 × M2.5 × 6 mm Torx T8 screws

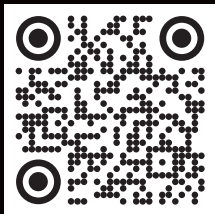
2 × M2.5 × 8 mm Torx T8 screws



VERTEX Technical Data

TECHNICAL DATA	VERTEX
Output voltage at 1 kHz, 5cm/s	0.3 mV
Cantilever material	Solid Diamond
Cantilever surface	Laser Polished
Stylus type	Vertex Diamond
Stylus tip radius	r/R 4/110 μm
Coil wire material	High Purity Silver
Channel balance at 1 kHz	< 0.1 dB
Channel separation at 1 kHz	30 dB
Frequency response 20 Hz - 20 kHz	+/- 1 dB
Dynamic lateral compliance	9 $\mu\text{m/mN}$
Recommended load impedance	> 100 Ω
Recommended tracking force	2.5 g
Tracking angle	23°
Internal impedance, DC resistance	19 Ω
Cartridge body material	SLM Titanium
Cartridge surface	DLC Coating
Cartridge weight	15 g

Above specifications refer to typical values at the recommended tracking force and may be revised without advance notice.



Scan and follow the QR code for setup information (www.ortofon.com/support).

ortofon

Date:

Approved by: